



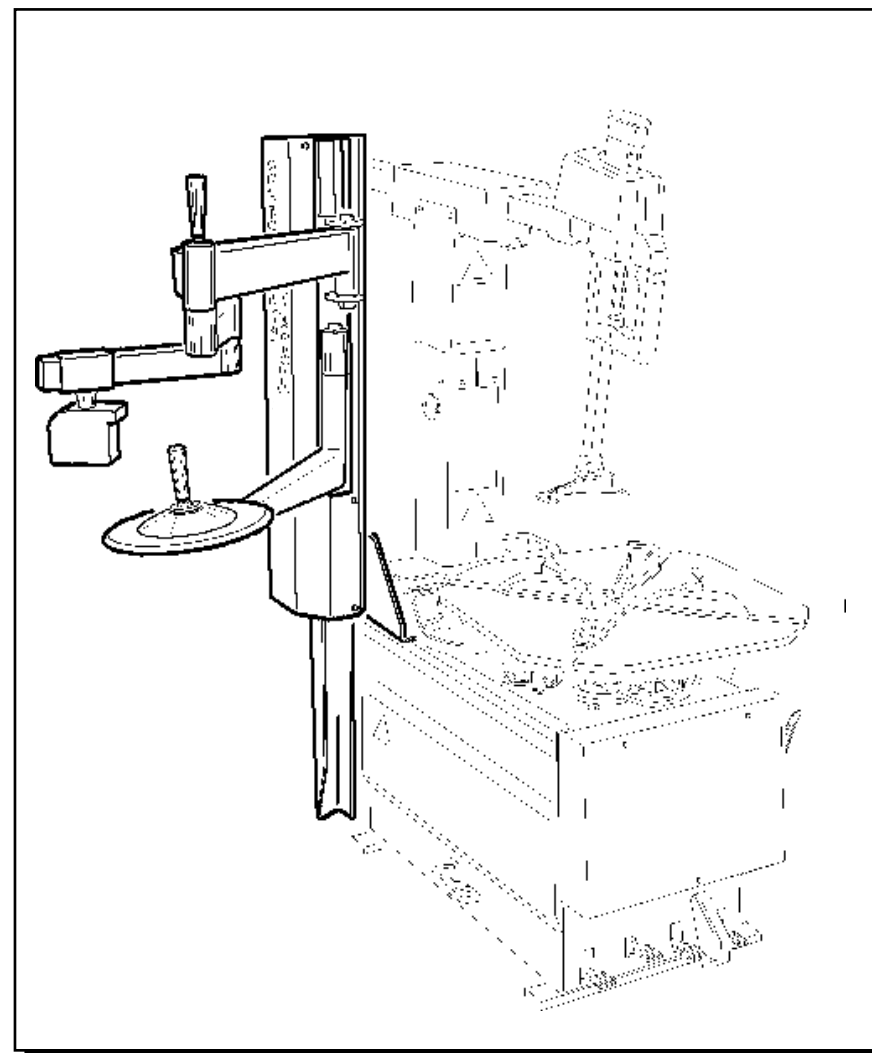
CATALOGO RICAMBI ORIGINALI - ORIGINAL SPARE PARTS

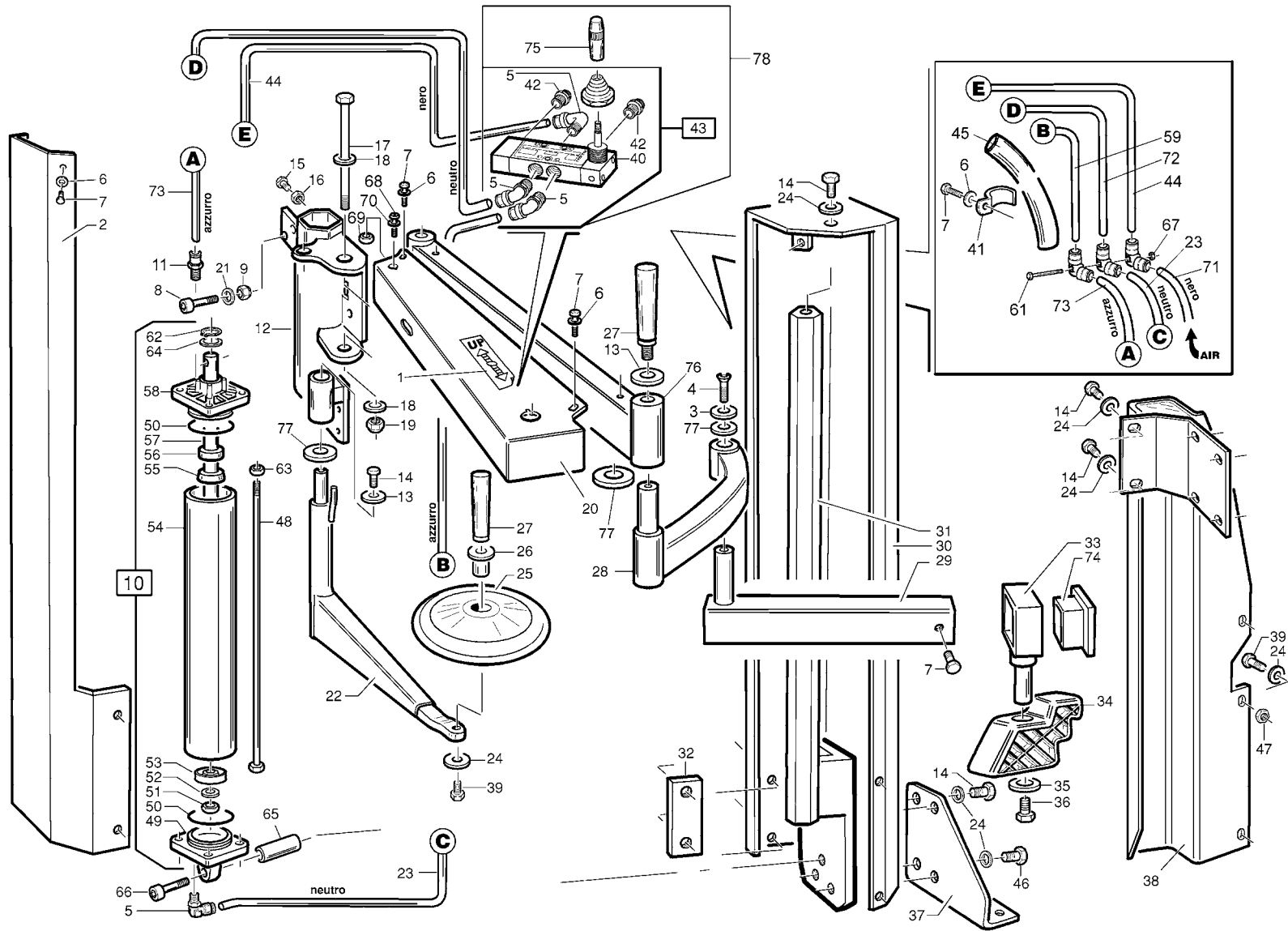
CATALOGUE PIECES D'ORIGINE - ORIGINALSATZTEILE

Ed. 05/2006

cod. 3014855

PRESS ARM 3 F





Ref	Codart	Descrizione	Description	Description	Beschreibung
1	3008944	DECALCO FRECCIA + UP	DECALCOMANIE	DECAL	ABZIEHBILD
2	6608820	COPERCHIO P.A.3-NERO	COUVERTURE PRESS ARM 3	P.A.3 COVER	P.A.3 DECKEL
3	3009088	RONDELLA D.10x45x4 -SVASATA	RONDELLE D.10x45x4	WASHER D. 10x45x4	SCHEIBE D.10x45x4
4	4399120	VITE TSPEI M10x20 10.9 5933	VIS M10x20 10.9	SCREW 10x20 10.9	SCHRAUBE 10x20 10.9
5	4198993	RACCORDO 6512 1/8"-6	RACCORD 65120 1/8" - 6	UNION 6512 1/8" - 6	ANSCHLUSS 6512 1/8" - 6
6	4399998	RONDELLA 6 (6,4x12x1,6)ZNT6592	RONDELLE 6 (6,4x12x1,6)	WASHER 6 (6,4x12x1,6)	SCHEIBE 6 (6,4x12x1,6)
7	4399300	VITE TCEI M 6x12 8.8	VIS 6x12	SCREW 6x12	SCHRAUBE 6x12
8	3000599	PERNO X CROC. M12 L=50 TCEI	AXE SECURITE' L=50	PIN L=50	STIFT L=50
9	4399865	DADO AUTOBL.M12 BASSO.6S. 7474	ECROU A' BLOCAGE AUTOMAT. M12	SELF-LOCKING NUT M12	SELBSTSICHERNDE MUTTER M12
10	2008857	GR.CILINDRO P.A.3 INT.	GR. CYL. PRESS ARM 3	CYLINDER UNIT	ZYLINDER
11	4198993	RACCORDO 6512 1/8"-6	RACCORD RAPIDE 1/8"	QUICK UNION 1/8"	SCHNELLANSCHLUSS 1/8"
12	6615932	SCORREVOLE P.A.F 3-NERO B.	PATIN	SLIDE	SCHLITTEN
13	3002311	RONDELLA D.10x45x4 -ZINCATA	RONDELLE D.10x45x4	WASHER D.10x45x4	SCHEIBE D.10x45x4
14	4399966	VITE TE 10x20 8.8 5739	VIS 10x20 8.8	SCREW M10x20 - 8.8	SCHRAUBE M10x20 8.8
15	4398901	VITE OTTONE TE M10x20 5739	VIS 10x20	SCREW 10x20	SCHRAUBE 10x20
16	4399967	DADO M10 6S BASSO ZNT 5589	ECROU M10	NUT M10	MUTTER M10
17	4395502	VITE TE 16x160 8.8 P.F. 5737	VIS TE 16x160 8.8	SCREW TE 16x160 8.8	SCHRAUBE 16x160 8.8
18	4399828	RONDELLA 16 (17x30x3) ZNT 6592	RONDELLE 16 (17x30x3)	WASHER 16 (17x30x3)	SCHEIBE 16 (17x30x3)
19	4399963	DADO AUTOBL.M16 BASSO.6S. 7474	ECROU A' BLOCAGE AUTOM. M16	SELF-LOCKING NUT M16	SELBSTSICHERNDE MUTTER M16
20	6615928	CARENATURA BRACCIO 1.	BATI BRAS	ARM FRAME	ARMGESTELL
21	4399981	RONDELLA 12 (13x24x2,5)	RONDELLE 12 (13x24x2,5)	WASHER 12 (13x24x2,5)	BEILAGSSCHEIBE 12 (13x24x2,5)
22	6607545	BRACCIO DISC.ST.PA2 L425-NERO	BRAS DISQUE DECOLLEUR L=425	BEAD BREAKING DISK ARM L=425	WULSTABDRUECKPLATTENARM L=425
23	3015950	TUBO ELASTOLAN 6X4 L=580 NEUTRO	TUYAU RILSAN D.6x4 L=580	RILSAN HOSE D.6x4 L=580	SCHLAUCH 6x4 L=580
24	4399378	RONDELLA 10 (10,5x21x2)ZNT6592	RONDELLE D.10 (10,5x21x2)	WASHER D.10 (10,5x21x2)	SCHEIBE D.10 (10,5x21x2)
25	3006886	DISCO STALLONATORE	DISQUE DECOLLE-TALONS	BEAD BREAKING DISK	WULSTABDRUECKPLATTE
26	3006862	PERNO SUP.DISCO ST.BRUNITO	AXE SUP. DISQUE DECOLLEUR	DISK UPPER PIN	STIFT
27	4297980	IMPUGNATURA CON PERNO M10X20	POIGNEE AVEC AXE M10X20	HANDLE WITH PIN M10x20	HANDGRIFF mit STIFT 10x20
28	6613004	BRACCIO 2 P.A.3-NERO	BRAS 2 PRESS ARM 3	ARM 2 P.A.3	ARM 2 P.A.3
29	2108983	BRACCIO 3 P.A.3-ZNT B.	BRAS 3 PRESS ARM 3	ARM 3 P.A.3	ARM 3 - PRESS ARM 3
30	6608819	BASAMENTO P.A.3-NERO	LOGEMENT PRESS ARM 3	P.A.3 BASE	P.A.3 GRUNDLAGE
31	2108818	PALO VERT. P.A.3	BRAS VERTICAL P.A.3	VERTICAL ARM P.A.3	SENKRECHTER ARM P.A.3
32	3007781	PIASTRA FISS.COL./BASAM.-BRUN.	PLAQUE DE FIXATION	FIXING PLATE	KLEMMPLATTE
33	2115062	SCORR.BRACCIO 3 P.A.4.	PATIN BRAS 3 P.A.3	ARM 3 SLIDE	ARMSCHLITTEN
34	3008404	PREMITAL.50x90x110 PVC GRIGIO	PRESSE-TALON 50x90x110	BEAD PRESSING TOOL 50x90x110	WULSTDRUECKER 50x90x110
35	4399863	RONDELLA 8 (9x24x2) ZNT 6593	RONDELLE 8 (9x24x2)	WASHER 8 (9x24x2)	SCHEIBE 8 (9x24x2)
36	4399298	VITE TCEI M 8x16 8.8 5931	VIS TCEI M8x16 8.8	SCREW M 8x16 8.8	SCHRAUBE 8x16 8.8

Ref	Codart	Descrizione	Description	Description	Beschreibung
37	6606888	STAFFA P.A.2-NERO	ETRIER P.A.2	SUPPORT	BUEGEL
38	6606887	COLONNA BASE P.A.2-NERO	COLONNE BASE P.A.2	P.A.2 BASE COLUMN	P.A.2 GRUNDSAEULE
39	4399228	VITE TE 10x25 8.8 5739	VIS TE 10x25 8.8	SCREW TE 10x25 8.8	SCHRAUBE 10x25 8.8
40	4198285	VALVOLA 5 VIE 228-53-31-9-1/2	SOUPAPE A' 5 VOIES	5-WAYS VALVE	5-WEGEVENTIL
41	4295214	GAFFETTA IN ACCIAIO D.16	CROCHET EN ACIER D.16	STEEL HOOK D.16	STAHLHAKEN D.16
42	4199610	SILENZIATORE 1 SFE 1/8"	SILENCIEUX 1/8"	SILENCER 1/8"	SCHALLDAEMPFER 1/8"
43	2006996	GR.VALVOLA HELP-PRESS ARM	GROUPE SOUPAPE H.3/P.A.2	VALVE UNIT	VENTIL
44	3015980	TUBO RILSAN 6X4 L=1050	TUYAU RILSAN D.6x4 L=1050	RILSAN HOSE D.6x4 L=1050	SCHLAUCH 6x4 L=1050
45	3012448	GUAINA PVC 18x20 L=900 mm	GAINE PVC 18X20 L=750	PVC SHEATH 18x20 L=750	PVC HUELSE 18x20 L=750
46	4399786	VITE TE 10x30 8.8 5739	VIS M10x30 8.8	SCREW M10x30 8.8	SCHRAUBE M10x30 8.8
47	4399969	DADO M10 6S ALTO ZNT 5587	ECROU M10	NUT M10	MUTTER M10
48	3008860	VITE PRIGION. M8x1,25x437 ZNT	PRISONNIER M8X1,25X437	STUD BOLT M8x1,25x437	BUNDSCHRAUBE M8x1,25x437
49	3002293	FLANGIA POSTER. CIL. AUT.	BRIDE ARRIERE	BACK FLANGE	FLANSCH
50	4298822	ANELLO OR 842 D.68,26x3,53	BAGUE OR D.68,26x3,53	O-RING D.68,26x3,53	O-RING D.68,26x3,53
51	4399934	DADO M12 METALTRIBLOK SPEC.	ECROU M12	NUT M12	MUTTER M12
52	4398753	RONDELLA 12,5x30x3 ZNT.	RONDELLE D.12,5x30x3	WASHER D.12,5x30x3	SCHEIBE D.12,5x30x3
53	4198856	PISTONE MONOBLOCCO D.75	PISTON D.75	PISTON D.75	KOLBEN D.75
54	3008858	CAMICIA CIL. P.A.3 L=405	CHEMISE CYLINDRE P.A.3 L.405	CYLINDER LINER L=405	ZYLINDERMANTEL L=405
55	3199601	RASCH.BID. NSW 20-30-6 XNU01	GARNITURE BIDIRECTIONNELLE	OIL SCRAPER	OELABSTREIFER
56	4298823	NASTRO DI GUIDA ASTA CILINDRO	GUIDAGE EN NYLON	GUIDE IN NYLON	NYLON-RING f. ZYLINDERSTANGE
57	3008859	ASTA CIL. P.A.3 D.20 L=458	TIGE VERIN PA D.20 L=458	CYLINDER SHAFT D.20 L=458	ZYLINDERSTANGE D.20 L=458
58	3002294	FLANGIA ANTER. CIL. AUT.	BRIDE ANT. VERIN	FRONT FLANGE	VORDERFLANSCH
59	3015947	TUBO ELASTOLAN 6X4 L=1050 AZZURRO	TUYAU 6x4 L=1050	HOSE 6x4 L=1050	SCHLAUCH 6x4 L=1050
60	3014450	TUBO ELASTOLAN 6X4 L=1500	TUYAU 6x4 L=1500	HOSE 6x4 L=1500	SCHLAUCH 6x4 L=1500
61	4395146	VITE TCEI 3x45	VIS 3X45	SCREW 3x45	SCHRAUBE 3x45
62	3199599	ANELLO SEEGER I D.30 JV	BAGUE SEEGER D.30	SEEGER RING D.30	SEEGER-RING D.30
63	4397678	DADO FLANGIATO M8 ZNT DIN 6923	ECROU	FLANGE NUT M8	KRONENMUTTER M8
64	4398146	RASAMENTO D.24x30x0,3	CALE D.24x30x0,3	SHIM D.24x30x0,3	AUSGLEICHRING 24x30x0,3
65	3007864	DISTANZ. 12x18x45 -BRUNIT.	ENTRETOISE 12x18x45	SPACER 12x18x45	DISTANZSTUECK 12x18x45
66	4398248	VITE TCEI 12x75 8.8 P.F. 5737	VIS M12x75 8.8	SCREW 12x75 8.8	SCHRAUBE M12x75 - 8.8
67	4395145	DADO AUTOBL.M 3 BASSO	ECROU DE VERROUILLAGE M3	SELF-LOCKING NUT M3	SELBSTSICHERNDE MUTTER M3
68	4396635	VITE TBEI 10x20	VIS TBEI M10x20	SCREW 10x20	SCHRAUBE 10x20
69	4399967	DADO M10 6S BASSO	ECROU M10	NUT M10	MUTTER M10
70	4399378	RONDELLA 10 (10,5x21x2)	RONDELLE D.10 (10,5x21x2)	WASHER D.10 (10,5x21x2)	BEILAGSSCHEIBE 10 (10,5x21x2)
71	3015952	TUBO ELASTOLAN 6X4 L=2000	TUYAU 6x4 L=2000	HOSE 6x4 L=2000	SCHLAUCH 6x4 L=2000
72	3015979	TUBO ELASTOLAN 6X4 L=1050 NEUTRO	TUYAU 6x4 L=1050	HOSE 6x4 L=1050	SCHLAUCH 6x4 L=1050
73	3015949	TUBO ELASTOLAN 6X4 L=90 AZZURRO	TUYAU 6x4 L=90	HOSE 6x4 L=90	SCHLAUCH 6x4 L=90
74	3013112	TERMINALE BRACCETTO P.A.	EXTREMITE BRAS	ARM END PART	ARMABDECKUNG
75	3010284	POMOLO D.14x45 FORO M5	POMMEAU D.14x45 M5	KNOB D.14X45 M5	KUGELGRIF D.14x45 M5
76	6609589	BRACCIO 1 P.A. A.T.-NERO B.	BRAS	ARM	ARM
77	4395462	RASAMENTO COMPENS. D.35X45X0,3	COMPENSATION RING D.35X42X0,5	BAGUE COMPENSAT. D.35X42X0,5	RING D.35X42X0,5



GIULIANO S.p.A.

Via Guerrieri, 6 - 42015 CORREGGIO - ITALY
Tel. +39. 522. 73.11.11 - Fax. +39. 522. 63.31.09

E-mail: giuliano@giuliano.it

<http://www.giuliano.it>